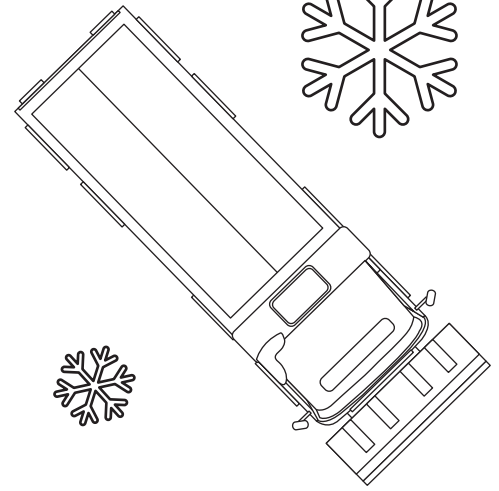


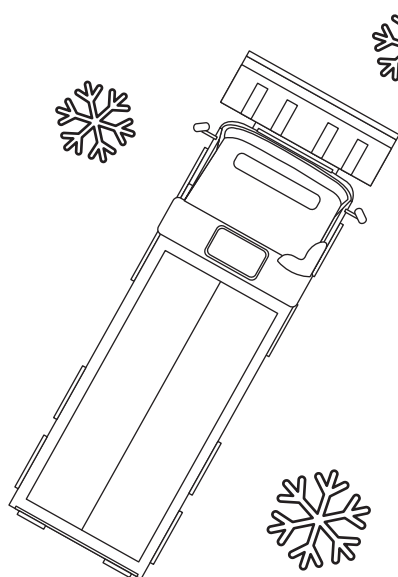


# Winter Word Search

Name \_\_\_\_\_ Date \_\_\_\_\_



I	D	W	Y	Y	J	F	F	B	C	G	F	P	H	E	E	I	S
P	A	T	R	O	L	S	R	I	F	L	R	J	E	S	N	O	W
T	N	R	G	Y	O	I	T	I	Y	O	O	L	K	P	F	E	N
S	T	T	R	L	N	C	R	X	X	V	S	X	A	B	R	Z	B
O	C	D	Y	E	R	T	W	H	D	E	T	T	L	J	E	Y	E
S	A	A	T	A	P	M	I	G	C	S	P	W	F	E	E	K	W
X	E	A	R	Q	Q	C	S	A	L	T	S	D	W	G	Z	Z	N
I	N	A	N	F	E	S	N	O	W	M	A	N	O	R	E	P	I
K	C	M	S	R	D	R	A	Z	Z	I	L	B	N	I	I	Q	N
Z	P	I	N	O	D	L	O	C	G	Q	U	B	S	T	S	C	R
M	E	A	C	J	N	Q	C	C	L	C	W	L	K	T	F	K	E
S	T	Q	Z	L	M	K	I	V	G	H	Q	P	I	E	B	H	E
E	R	C	D	L	E	O	N	R	I	L	U	R	I	R	W	L	L



- |            |           |
|------------|-----------|
| ARTIC      | ICE       |
| COLD FROST | SEASON    |
| SNOWMAN    | BRINETANK |
| SCARF      | SALT      |
| SNOW       | FREEZE    |
| BLIZZARD   | GRITTER   |
| ICICLE     | PATROLS   |
| GLOVES     | SNOWFLAKE |

